

# SPECIFIC PURPOSE SURVEY FOR PROPERTY IMPROVEMENTS

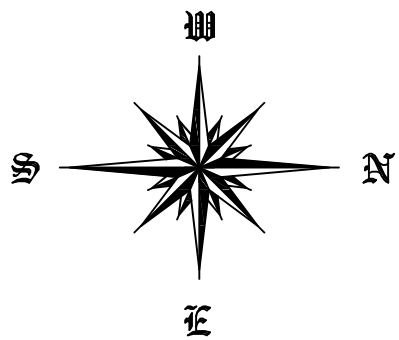
for

SURVEYOR'S NOTES

*See attached survey*

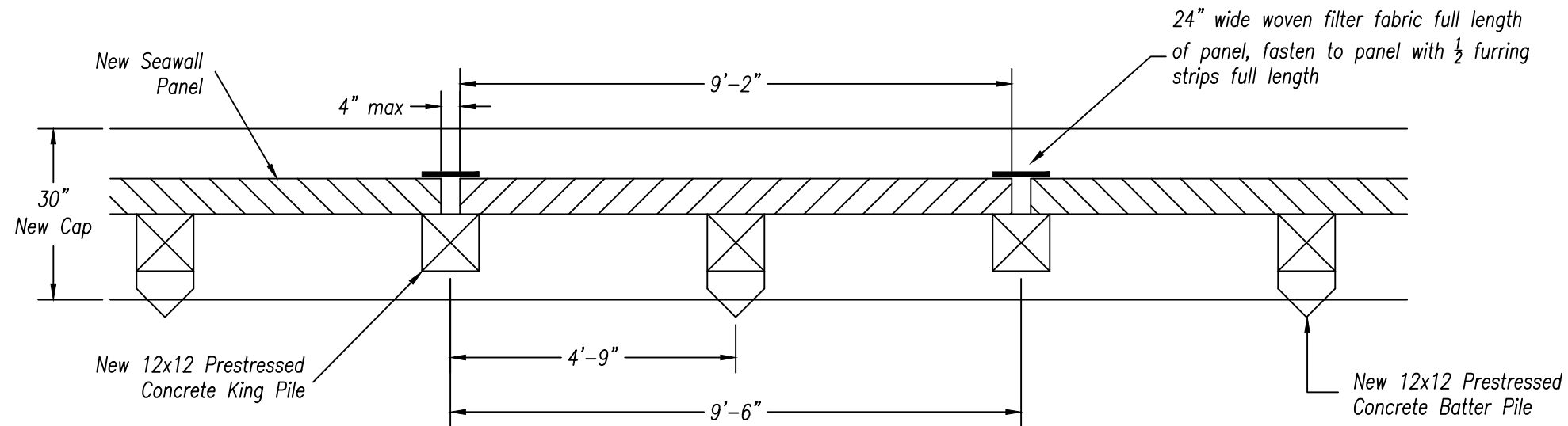
*Intracoastal Waterway*

*Site Plan*  
Scale: 1" = 20'



*Intracoastal Waterway*

*Scale: 1/8" = 1'-0"*



## Lay-Out

Scale: 3/8" = 1'-0"

### General Notes:

- Licensed Contractor shall verify the existing conditions prior to commencement of the work. Any conflicts or omissions between existing conditions or the various elements of the working drawings shall be brought to the attention of the Engineer prior to the commencement of the work. The Licensed Contractor and all subcontractors are responsible for all lines, elevations, and measurements.
- Do not scale drawings for dimensions.
- All unanticipated or unforeseen demolition and/or new construction conditions which require deviation from the plans and notes herein shall be reported to the Engineer prior to commencement of work.
- Licensed Contractor to verify location of existing utilities prior to commencing work.
- The Licensed contractor to install and remove all shoring and bracing as required for the proper execution of the work.
- Licensed Contractor to obtain all permits as necessary from all Local, State, and Federal agencies.
- For all prestressed piles, extend pile strands a min. of 18" into cap steel or cut strands even w/ top of pile & dowel & epoxy (2) #5 L-bars, 24" long w/ 12" bend, into top of pile, w/ a min. of 4" embedment.
- New batter pilings to have a minimum 4" penetration into the pile cap forms.
- Concrete piling to be 12"x12" prestressed piles with (4) 7/16" strands.
- Piles to be driven a minimum of 8' into berm with a minimum bearing capacity of 10 tons.
- Concrete to be min. 5000 psi @ 28 days, .40 water/cement ratio.
- Reinforcing steel shall be in conformance with the latest version of ASTM A615 Grade 60 Specifications. All reinforcement shall be placed in accordance with ACI 315 and ACI Manual of Standard Practice.
- Concrete cover shall be 3 inches unless otherwise noted on the approved drawings.
- Splices in reinforcing bars shall not be less than 48 bar diameters and reinforcing shall be continuous around all corners and changes in direction. Continuity shall be provided at corners or changes in direction by bending the longitudinal steel around the corner 48 bar diameters.
- Owner shall em

PAGE: 3

DATE	NOTES/REVISIONS

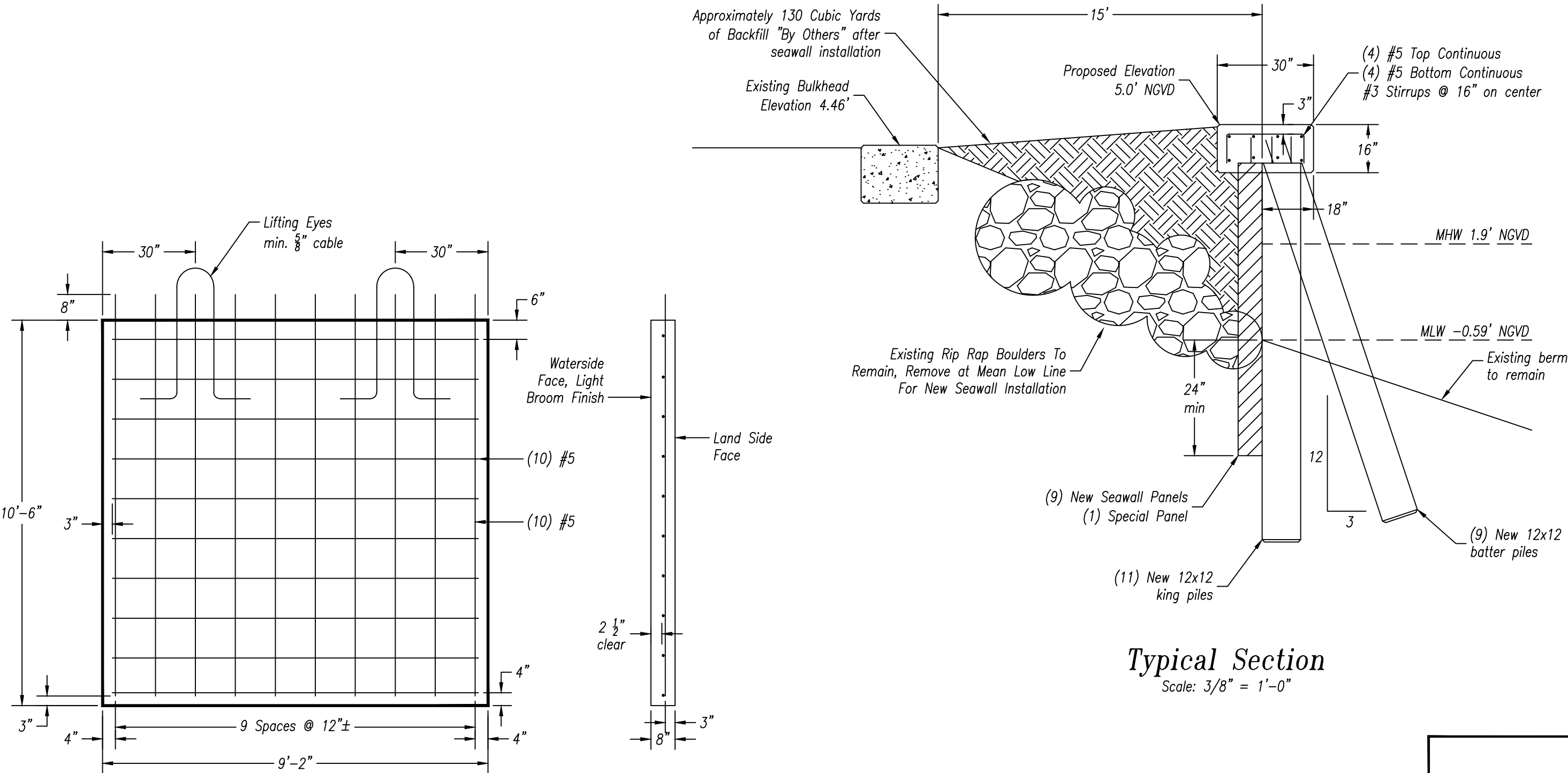
SCALE: 3/8" = 1'-0"  
 DATE: 01.20.2017  
 DRAWN BY: WRT  
 CHECKED BY: MW  
 PP/seawalls/1705 new seawall

PREPARED FOR:  
**PILINGS PLUS, II**  
 6010 NW 23 TERRACE  
 BOCA RATON, FL 33496  
 PH: (954) 520-5770

Project:  
**Proposed Seawall**  
**Raymond Rizk**  
**1705 Palm Trail**  
**Delray Beach, Florida 33483**

MARK E. WEBER, P.E.  
 LICENSE #53895 | CA 30702

MW, ENGINEERING, INC  
 6810 NORTH STATE ROAD 7  
 COCONUT CREEK, FL 33073  
 Ofc: 954-617-8143  
 WWW.MwEngineering.net



**Typical Section**  
Scale: 3/8" = 1'-0"

**Panel Detail**  
Scale: 3/8" = 1'-0"

**Typ. Section**

DATE	NOTES/REVISIONS

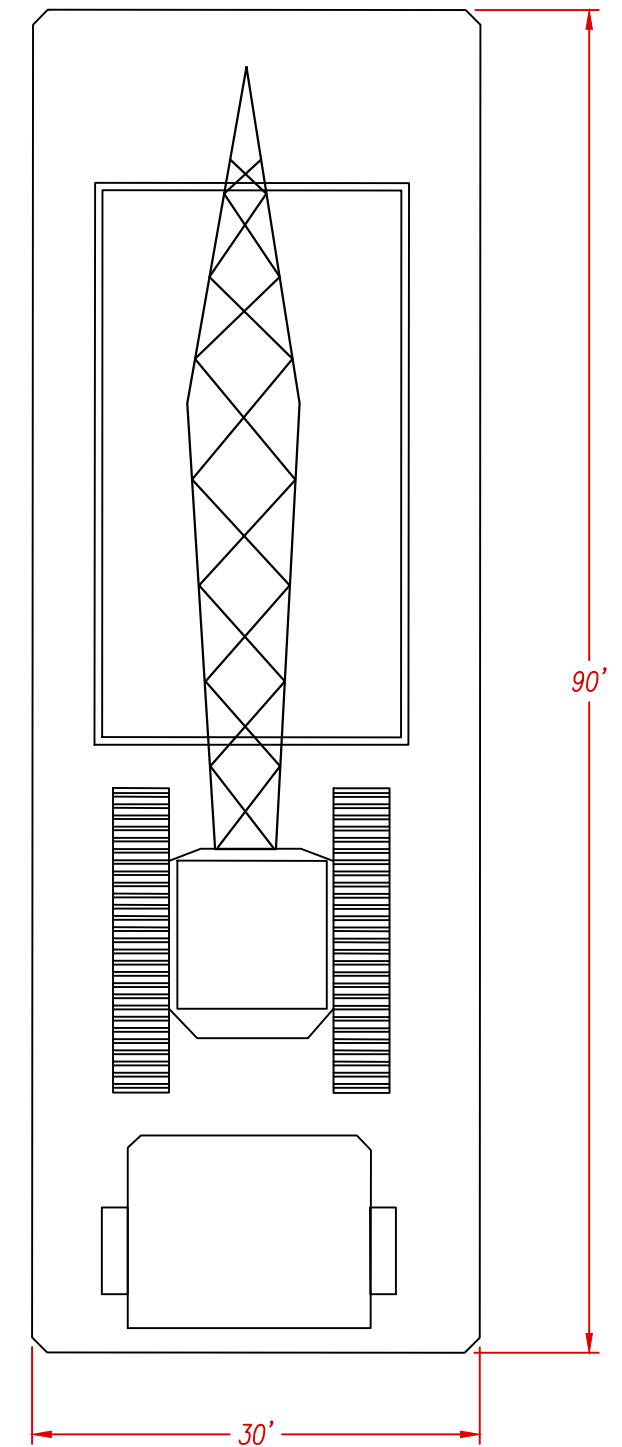
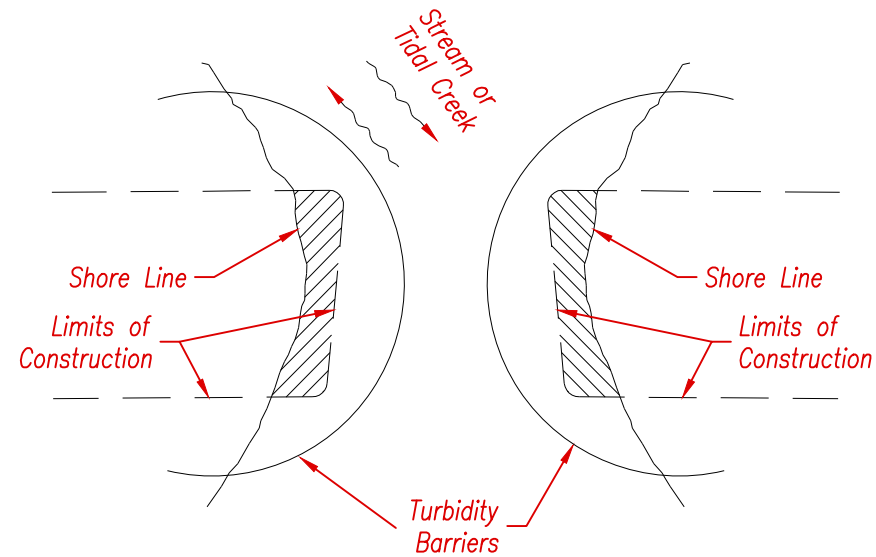
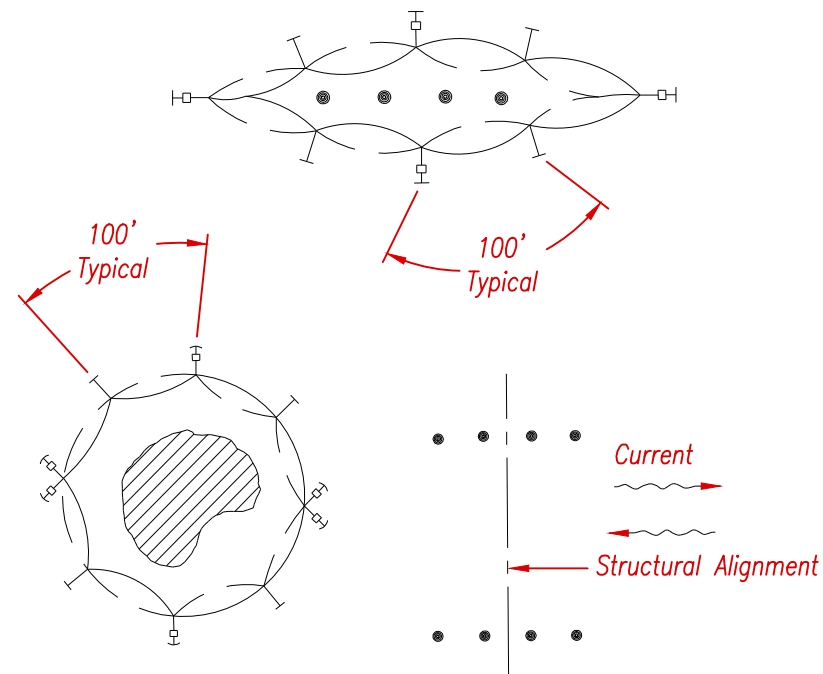
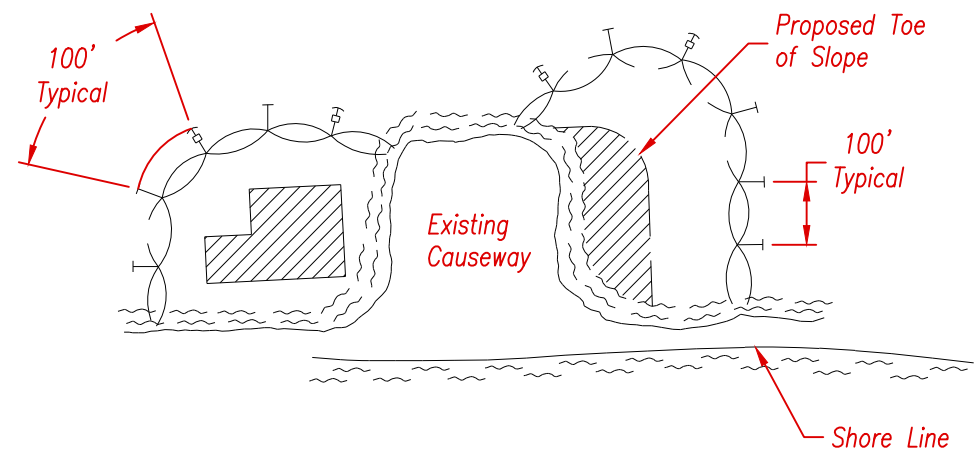
SCALE: 32	PREPARED FOR:	<b>Project:</b> Proposed Seawall Raymond Rizk 1705 Palm Trail Delray Beach, Florida 33483
DATE: 01.20.2017	<b>PILINGS PLUS, II</b>	
DRAWN BY: WRT	6010 NW 23 TERRACE BOCA RATON, FL 33496 PH: (954) 520-5770	
CHECKED BY: MW		
PP/seawalls/1705 new seawall		

MARK E. WEBER, P.E.  
LICENSE #53895 | CA 30702

MW, ENGINEERING, INC  
6810 NORTH STATE ROAD 7  
COCONUT CREEK, FL 33073  
Ofc: 954-617-8143  
WWW.MwEngineering.net

# CANAL

# Construction Barge



**NOTES:**

1. Turbidity barriers are to be used in all permanent bodies of water regardless of water depth.
2. Number and spacing of anchors dependent on current velocities.
3. Deployment of barrier around pile locations may vary to accommodate construction operations.
4. Navigation may require segmenting barrier during construction operations.
5. For additional information see Section 104 of the Standard Specifications.

**NOTE:**

Turbidity barriers for flowing streams and tidal creeks may be either floating, or staked types or any combinations of types that will suit site conditions and meet erosion control and water quality requirements. The barrier type(s) will be at the Contractor's option unless otherwise specified in the plans, however payment will be under the pay item(s) established in the plans for Floating Turbidity Barrier and/or Staked Turbidity Barrier. Posts in staked turbidity barriers to be installed in vertical position unless otherwise directed by the Engineer of Record.

## TURBIDITY BARRIER APPLICATIONS